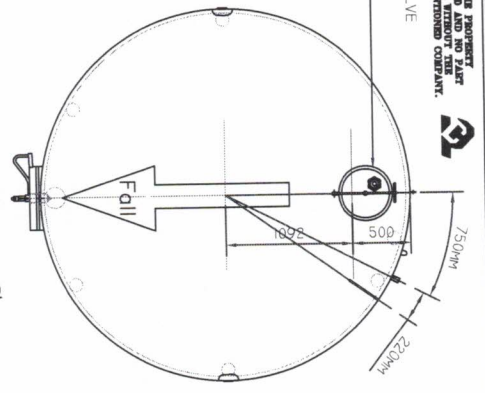


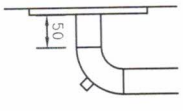
THIS DRAWING REMAINS THE PROPERTY OF CROWN SHEETMETAL LIMITED AND IS NOT TO BE REPRODUCED OR COPIED IN WHOLE OR IN PART WITHOUT THE WRITTEN PERMISSION OF THE ABOVE MENTIONED COMPANY.



NOTE: SUCTION VALVE POSITION



NOTES:
269 MM FALL OVER TANK DIAMETER 5 DEGREES
ALL INTERNAL WELDS GRIND & POLISHED 180 GRIT.



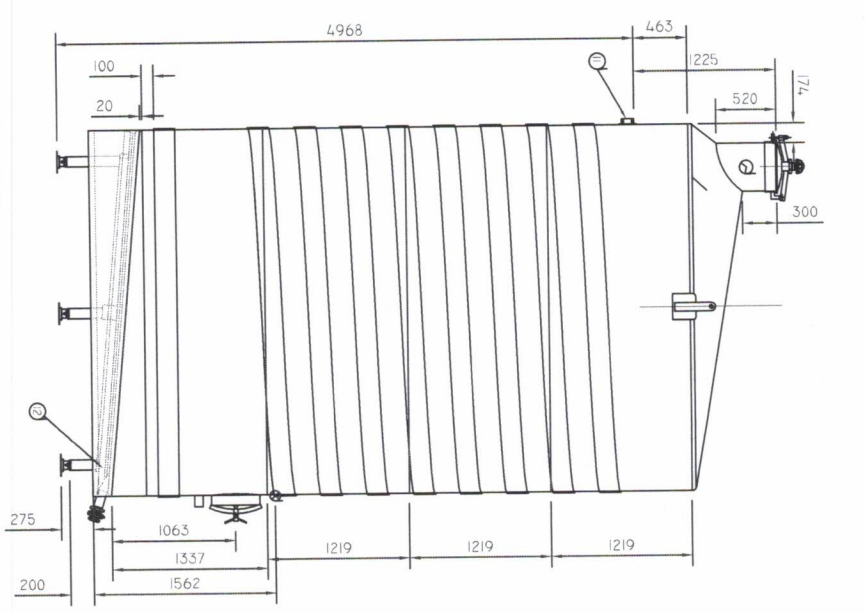
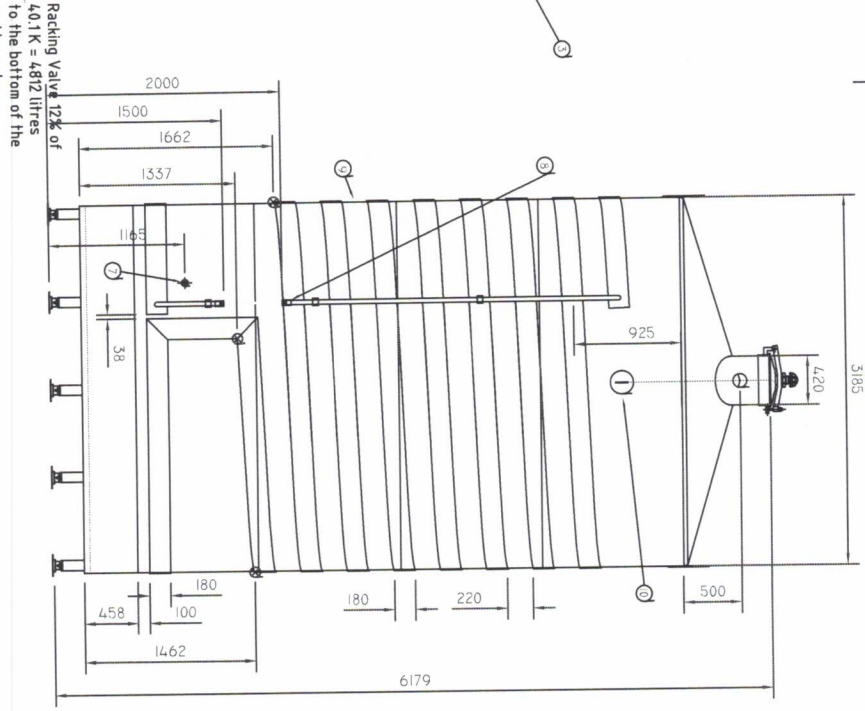
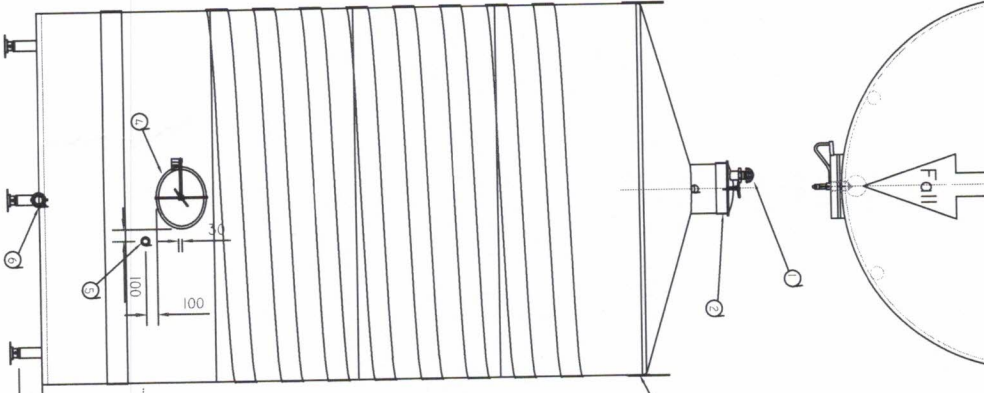
DETAIL 8
3/2" TUBE WITH 90°
S/R BENDS, 1/4 OF 3/8"
SOCKET FITTED TO
BOTTOM BEND ONLY

ITEM #	DESCRIPTION	QTY.
1	STAINLESS FEET SS 304	6
2	3/2" TUBE WITH 90° S/R BENDS, 1/4 OF 3/8" SOCKET FITTED TO BOTTOM BEND ONLY	1
3	3/2" TUBE WITH 90° S/R BENDS, 1/4 OF 3/8" SOCKET FITTED TO BOTTOM BEND ONLY	1
4	3/2" TUBE WITH 90° S/R BENDS, 1/4 OF 3/8" SOCKET FITTED TO BOTTOM BEND ONLY	1
5	3/2" TUBE WITH 90° S/R BENDS, 1/4 OF 3/8" SOCKET FITTED TO BOTTOM BEND ONLY	1
6	3/2" TUBE WITH 90° S/R BENDS, 1/4 OF 3/8" SOCKET FITTED TO BOTTOM BEND ONLY	1
7	3/2" TUBE WITH 90° S/R BENDS, 1/4 OF 3/8" SOCKET FITTED TO BOTTOM BEND ONLY	1
8	3/2" TUBE WITH 90° S/R BENDS, 1/4 OF 3/8" SOCKET FITTED TO BOTTOM BEND ONLY	1
9	3/2" TUBE WITH 90° S/R BENDS, 1/4 OF 3/8" SOCKET FITTED TO BOTTOM BEND ONLY	1
10	3/2" TUBE WITH 90° S/R BENDS, 1/4 OF 3/8" SOCKET FITTED TO BOTTOM BEND ONLY	1
11	3/2" TUBE WITH 90° S/R BENDS, 1/4 OF 3/8" SOCKET FITTED TO BOTTOM BEND ONLY	1
12	3/2" TUBE WITH 90° S/R BENDS, 1/4 OF 3/8" SOCKET FITTED TO BOTTOM BEND ONLY	1

ITEM #	DESCRIPTION	QTY.
1	3" SUCTON VALVE	1
2	LIFTING LUGS 270x15x10 SS 304	2
3	OVAL MANWAY - 1 PIECE CHROM	1
4	BRASS VALVE 3" RJT MALE PART	1
5	BRASS VALVE 3" RJT MALE PART	1
6	PERIPHERAL MOBE HOOKS - DIA 1/2" SMALL 15x300mm	2
7	BSP NIPPLES DIA 1"	1
8	SPRAL COILING 40x100 9 COLS AT 100 PITCH	1
9	CATWALK DOOR 200x200x50mm	1
10	CATWALK LUG THICKNESS 8mm	2
11	SMP 200x 2" OUTLET	1
12	BASE RING 80x10 MILD STEEL	1

VOLUME OF SPIRAL CHANNEL: 182LTS

34 Channels per tank



Manway, Outlet, Racking, Lifting Lugs & BSP Nipples are to be Double Skin Components to allow for the tank to be Insulated at a later date!!!!

REV	AMENDMENTS	BY	DATE
1	CHANGE PRT TO TR COVER	RY	6.11.04
2	REMOVE 4P TREST. ADJUST PIPEWORK ETC	RY	3.02.05
3	ALLOW FOR INSULATION	RY	3.02.05
4	ALTER CONR MESSUREMENTS FOR MANUFACTURE	RY	2.03.06



CROWN SHEETMETAL LTD.
32 SPEY STREET
INVERCARGILL

PHONE 03-2144817
FAX 03-2183354

40,000 LITRE S/SKIN WINE SILO
GENERAL DETAIL

CLIENT :

DESIGNED	DRAWN	CHECKED	DATE	SCALE	DRG No:
EDMON YOUNG	EDMON YOUNG	EDMON YOUNG	24.10.03	SCALE TO FIT	40000

SHT. OF
JOB No :
s.skin